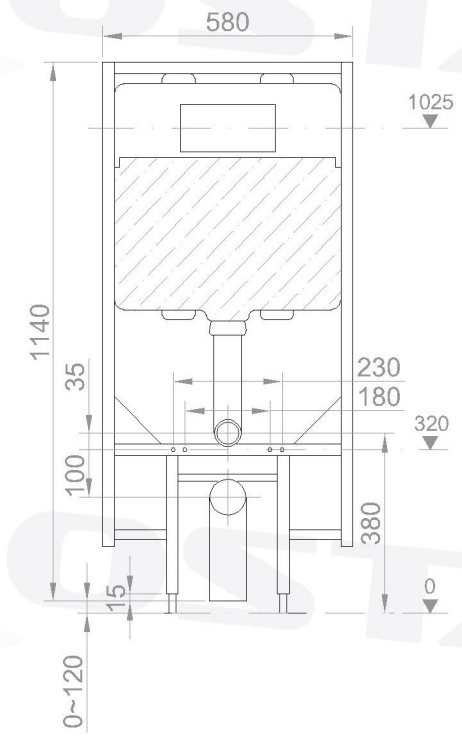
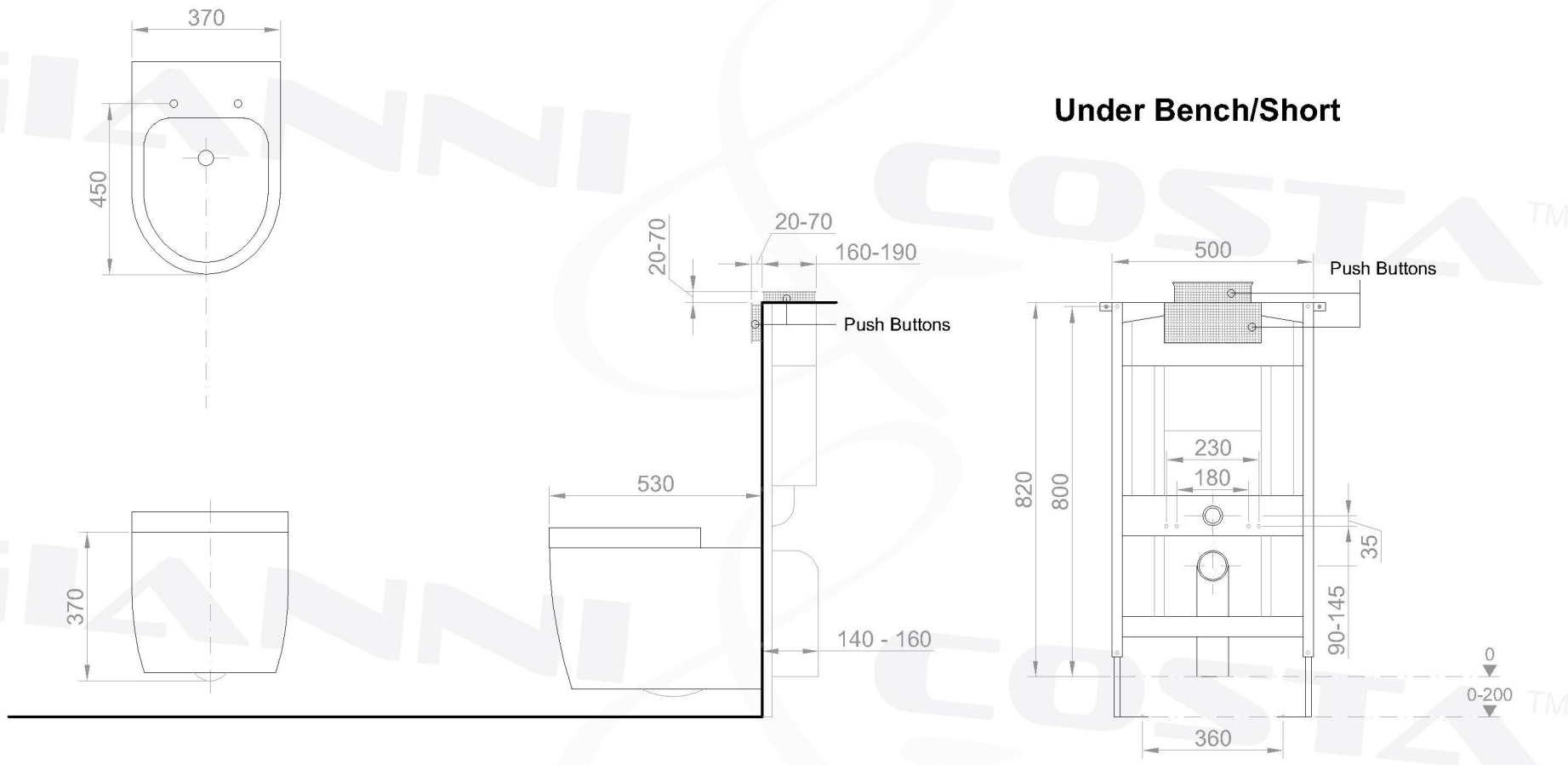


**Concealed Cistern/Standard**





**Under Bench/Short**